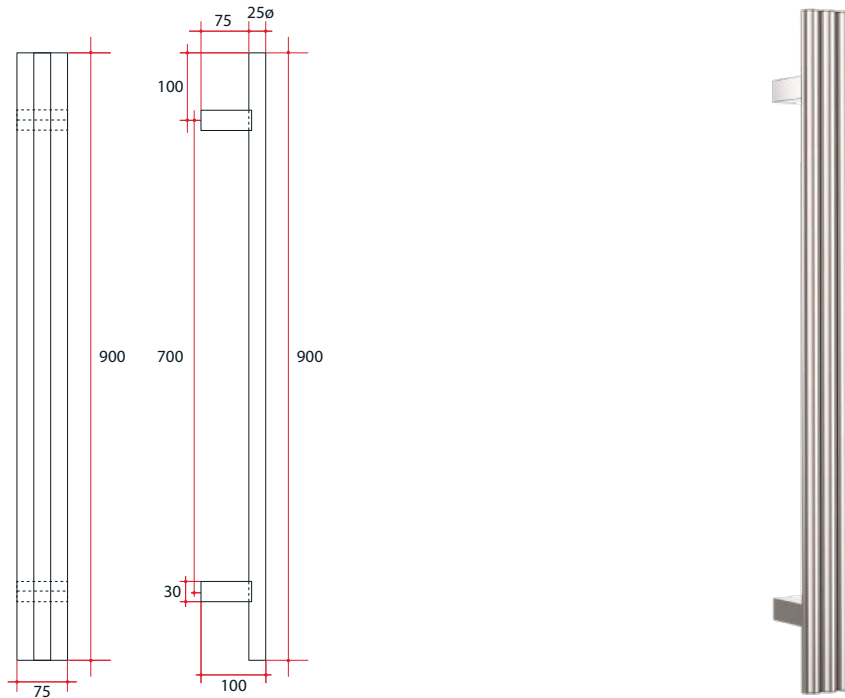


**Thermorail 12V Vertical Towel Rail**  
Electric Heated Towel Rails for use in bathrooms



Note: All dimensions are in millimetres (mm)

Stock Code	Finish	Size (mm)	Output (W)	No. of Bars
VW900	Polished Stainless Steel	W75 x H900 x D100	27	1



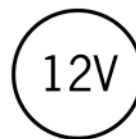
**Ten year warranty**



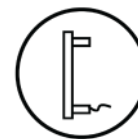
**Safe for use in bathrooms**



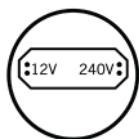
**Quality stainless steel**



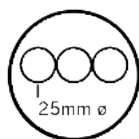
**Safe for use in wet areas**



**Concealed wiring only**



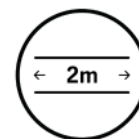
**Transformer included (12 month warranty)**



**Triple round profile**



**One towel per bar recommended**



**2m lead on rail**

**PLEASE NOTE:** Specifications are for information purposes only. Whilst every effort has been made to ensure the product specifications are accurate, due to continuing product development and improvement, the specifications are subject to change. Specifications can be used to rough in and for timber supports in the wall however, we recommend no holes are drilled without having the product on site or verifying the details with the manufacturer. Thermogroup cannot be held liable or responsible for errors due to updated specifications.