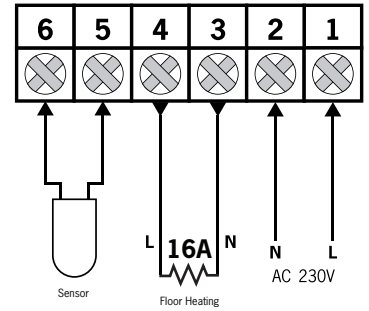


Installing the Thermostat

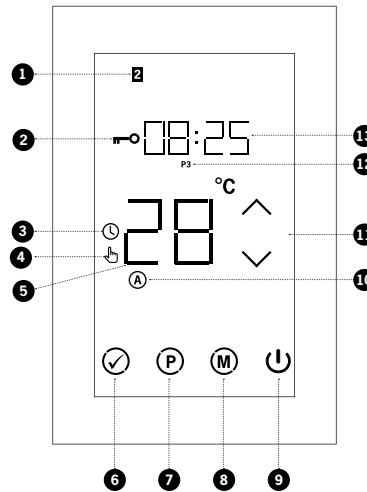
Carefully separate the front half of the thermostat from the back plate by placing a small flat head terminal driver into the slots on the bottom face of the thermostat. Carefully unplug the cable connector which is plugged into the front half of the thermostat. Place the thermostat front half somewhere safe. Follow the wiring diagram to connect the floor heating cold leads, remote temperature sensor and electrical supply to the appropriate terminals. Screw the thermostat back plate on to the electrical mounting plate. Re-connect the thermostat cable and clip the two halves together.



Technical Data

Supply voltage	220 - 240VAC
Maximum load	16A
IP Rating	IP20
Warranty	2 Years
Width	80mm
Height	120mm
Depth	45mm (27mm in wall)
Temperature Range	5°C - 35°C
Floor Sensor Resistance at 25°C	10Ω
Orientation	Portrait

User Interface



1. Day indicator
2. Key lock icon
3. Schedule mode icon
4. Manual mode icon
5. Temperature indicator
6. Confirm settings
7. Program button
8. Mode button
9. Power button
10. Air/Floor sensing mode
11. Up & down arrows
12. Program period
13. Time

Setting the date and time

Press and the time will begin to flash. Use to select the correct time. Press until the day begins to flash (Note: Monday is Day 1). Use to select the correct day. Press to save the settings.

Heating Modes

When the unit is on, press to switch between manual and schedule modes.

Manual Mode

In the manual mode press the to set the desired temperature.

Schedule Mode

In the schedule mode the timer will follow the heating schedule that is set.

By pressing the arrows it will override the current programmed temperature until the next programmed period.

Advanced Settings

To access the advanced settings, turn the unit off by pressing . Press to display setting 01. Use the to adjust the settings. Press to cycle between setting 01 to 12. Press to save the settings.

Menu	Description	Range	Default
01	Sensor Mode	A=Air Sensing Only F=Floor Sensing AF=Air & Floor Sensing	A= Air Sensing Only
02	Switching Differential	1°C, 2°C...10°C	1°C
03	Air Temp Calibration	-5°C - 5°C	0°C
04	Floor Temp Calibration	-5°C - 5°C	0°C
05	Auto Exit Time	5 - 30 seconds	20 Seconds
06	Temperature Display Mode	A: Display air temp only F: Display floor temp only AF: Display air & floor temp alternatively	A: Display air temperature only
07	Max Floor Temp Limit	20°C - 40°C	40°C by default
08	Backlight Timer	0, 10, 20, 30, 40 50, 60, ON	20 Seconds
09	Clock Format	12/24 Hour	24 Hour
10	Frost Protection	00 = not activated 01 = activated	00 = not activated
11	5+2 or 7 day Programming	01= 5+2 day program 02 = 7 day program	01 = 5+2 day program
12	Screen saver	ON = activated OF = not activated	OF= not activated

Set up your heating schedule (For 5+2 Day Program)

Turn the unit on by pressing **⏻**

To set up the heating schedule for Monday to Friday press **Ⓞ**

The time for P1 will flash. This is the first ON period for the day.

Use the **^** **∨** to adjust the time to when the underfloor heating will turn on in the morning.

Press **Ⓞ** and the temperature will flash.

Using the **^** **∨** select the desired heating temperature for P1 (Recommended between 22-28°C).

Press **Ⓞ** to set period 2, which is when the underfloor heating will turn off. Use the **^** **∨** to adjust the time.

Press **Ⓞ** and the temperature will flash. Using the **^** **∨** select the off temperature for P2 (Recommended between 15-18°C).

Repeat above steps for P3 and P4 and then press **Ⓞ**

(Note: P3 is turning the underfloor heating on in the evening and P4 is turning it off in the evening)

If the underfloor heating is only required to be on once a day set a lower temperature for both P3 and P4 and ensure that the time set for P3 and P4 is after the time set for P2.

When Monday-Friday has been set press **Ⓞ** to go onto the Saturday and Sunday schedule.

The time for P1 will flash. This is the first ON period for Saturday and Sunday.

Use the **^** **∨** to adjust the time to when the underfloor heating will turn on in the morning.

Press **Ⓞ** and the temperature will flash.

Using the **^** **∨** select the desired heating temperature for P1 (Recommended between 22-28°C).

Press **Ⓞ** to set period 2, which is when the underfloor heating will turn off. Use the **^** **∨** to adjust the time.

Press **Ⓞ** and the temperature will flash. Using the **^** **∨** select the off temperature for P2 (Recommended between 15-18°C).

Repeat above steps for P3 and P4 and then press **Ⓞ**

For Saturday and Sunday if you want to clear the time period of P2 and P3, press **Ⓞ** during programming. Press **Ⓞ** again to cancel.

Set up your heating schedule (For 7 Day Program)

Change the advanced menu option 11 to setting 02 (7 Day Program) as per instructions in the advanced settings section.

The 7day program option means that all 7 days can be programmed to the same schedule or all 7 days can be programmed individually.

Press **Ⓞ** until the day display flashes. If programming all 7 days individually use the **^** **∨** to select the day to program first.

If programming all 7 days to the same schedule, press and hold the **∨** button for about 5 seconds to select all 7 days.

To set up the heating schedule press **Ⓞ**

The time for P1 will flash. This is the first ON period for the day.

Use the **^** **∨** to adjust the time the underfloor heating will turn on in the morning.

Press **Ⓞ** and the temperature will flash.

Using the **^** **∨** select the desired heating temperature for P1 (Recommended between 22-28°C).

Press **Ⓞ** to set period 2, which is when the underfloor heating will turn off. Use the **^** **∨** to adjust the time.

Press **Ⓞ** and the temperature will flash. Using the **^** **∨** select the off temperature for P2 (Recommended between 15-18°C).

Repeat above steps for P3 and P4 and then press **Ⓞ**

(Note: P3 is turning the underfloor heating on in the evening and P4 is turning it off in the evening)

If programming all 7 days to the same schedule, the program is now set up.

If programming all 7 days individually, press **Ⓞ** and use the **^** **∨** to select the next day to program.

Key Lock

To lock the key pad, press and hold the **⏻** for 5 seconds or until the **🔒** displays. To unlock press and hold the **⏻** until the **🔒** disappears.

Temporary override

Turning the unit onto temporary override will allow the unit to be operated on manual until the next programmed period.

In schedule mode, press **^** **∨** and the temperature display will flash. Use **^** **∨** to adjust the desired temperature and press **Ⓞ** to confirm. **TEMPORARY** will be displayed below the temperature display. The thermostat will maintain the newest temperature until the next programmed period. To cancel the override setting press **Ⓞ**.

Other Settings & Factory Reset

Press **⏻** to turn the timer off

Press and hold **Ⓞ** until 13 is displayed. Use **^** **∨** to adjust the settings. Press **Ⓞ** to advance to the next setting.

Menu	Description	Range	Default
13	Minimum Set Temperature	5 - 20°C	5°C
14	Maximum Set Temperature	40 - 90°C	40°C
15	Factory Reset		

To perform a factory reset, press and hold **∨** for approx. 5 seconds. **FES** will display on the screen and then the timer has been reset. Turn the timer back on to setup the program.